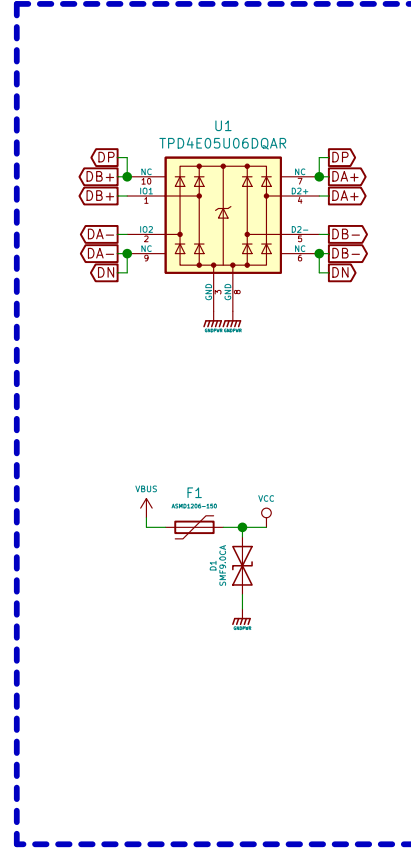
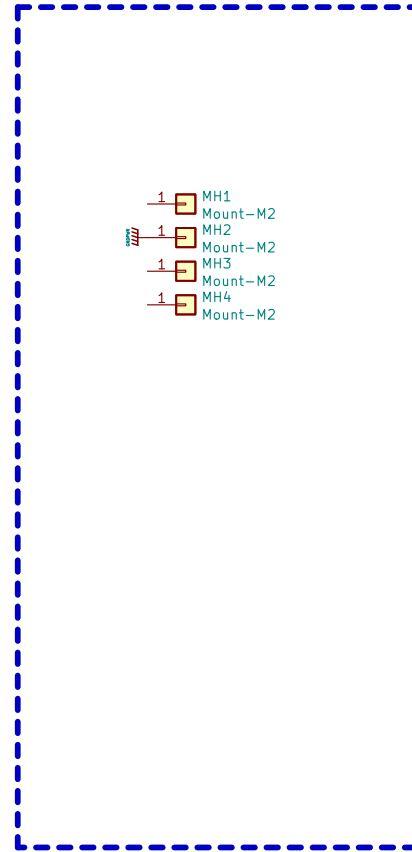


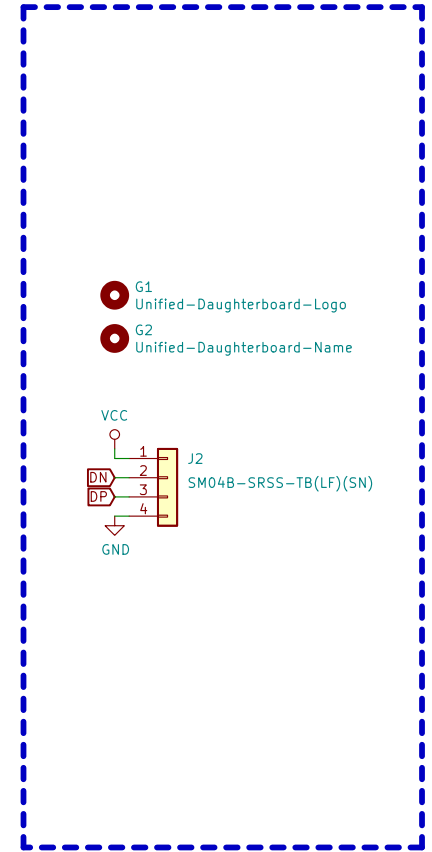
Connector and shield



ESD



Mounting



Misc

Designed by the keyboard community

Sheet: /
File: Unified-Daughterboard.sch

Title: Unified Daughterboard

Size: A4 Date: 2020-03-22
KiCad E.D.A. kicad (5.99.0-840-g2507f985a)

Rev: C3
Id: 1/1